

Seapoint Rhodamine Fluorometer



Features

- wVery low power requirements
- wCan be used in pumped or open deployments
- w6.6" (16.8 cm) L x 2.5" (6.4 cm) D
- w6000 m depth capability
- wGood ambient light rejection
- wLinear output with Rhodamine WT concentration
- wRange settings of 5, 15, 50 and 150 $\mu\text{g/l}$ selected externally via two control lines
- wLow temperature coefficient
- wLow offset voltage does not require adjustment across gains
- wPin compatible with Seapoint Turbidity Meter and Seapoint Chlorophyll Fluorometer
- wInterfaces easily with data acquisition systems
- wRugged, corrosion-free materials

Applications

- wTrace Studies
- wLeak Detection

Description

The Seapoint Rhodamine Fluorometer (SRF) is a high-performance, low power instrument for *in situ* measurements of Rhodamine WT.

Its small size, very low power consumption, high sensitivity, wide dynamic range, 6000 meter depth capability, and open or pump-through sample volume options provide the power and flexibility to measure Rhodamine WT in a wide variety of conditions.

The SRF uses modulated green LED lamps and green interference filters to excite Rhodamine WT. The fluorescent light emitted by the Rhodamine WT passes through an orange emission filter and is detected by a silicon photodiode. The low level signal is then

processed using synchronous demodulation circuitry which generates an output voltage proportional to Rhodamine WT concentration.

The SRF may be operated with or without a pump. The sensing volume may be left open to the surrounding water, or, with the use of the supplied cap, can have water pumped through it.

Two control lines allow the user to set the sensitivity to one of four gains. These lines may be hardwired or microprocessor controlled to provide a suitable range and resolution for a given application.

The sensor is easily interfaced with data acquisition packages; a 5 ft. pigtail is supplied. Custom configurations are available.



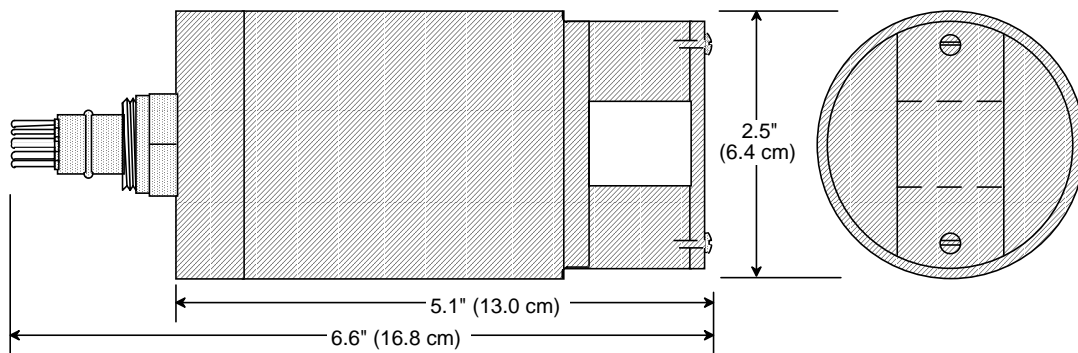
87 North Road w Kingston, NH 03848-3056 w USA
Tel: (603) 642-4921 w Fax: (603) 642-4922
seapoint@seapoint.com w www.seapoint.com

Specifications

w Power Requirements	8.5-20 VDC, 15mA avg., 27mA pk.		
w Output	0-5.0 VDC		
w Output Time Constant	0.1 sec.		
w Excitation Wavelength	540 nm CWL, 20 nm FWHM		
w Emission Wavelength	610 nm CWL, 40 nm FWHM		
w Sensing Volume	340 mm ³		
w Minimum Detectable Level	0.02 µg/l		
w Sensitivity/Range	<u>Gain</u>	<u>Sensitivity, V/(µg/l)</u>	<u>Range, µg/l</u>
	30x	1.0	5
	10x	0.33	15
	3x	0.1	50
	1x	0.033	150
w Depth Capability	6000 m (19685 ft)		
w Weight (dry)	1000 g (2.2 lbs)		
w Operating Temp.	0°C to 65°C (32°F to 149°F)		
w Material	ABS Plastic		
w Underwater Connector	Impulse AG-306/206 (others available on request)		

Dimensions

Open Configuration (no pump)



Pumped Configuration

